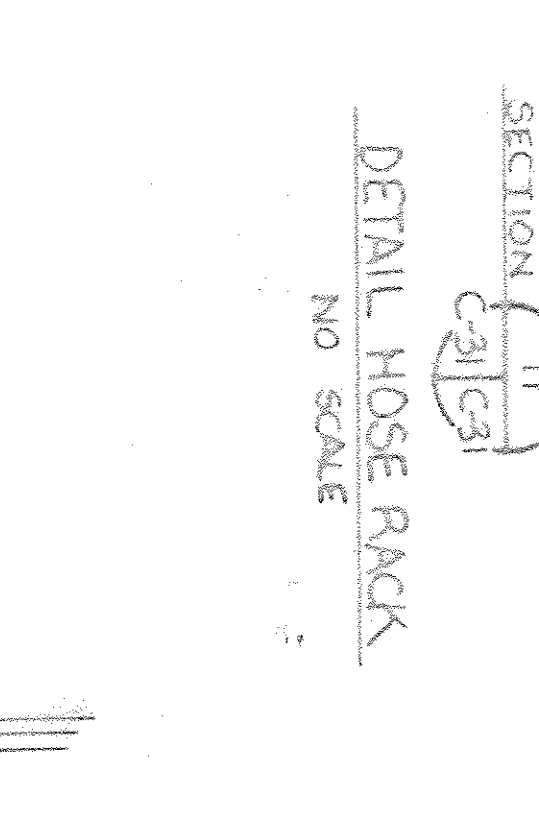
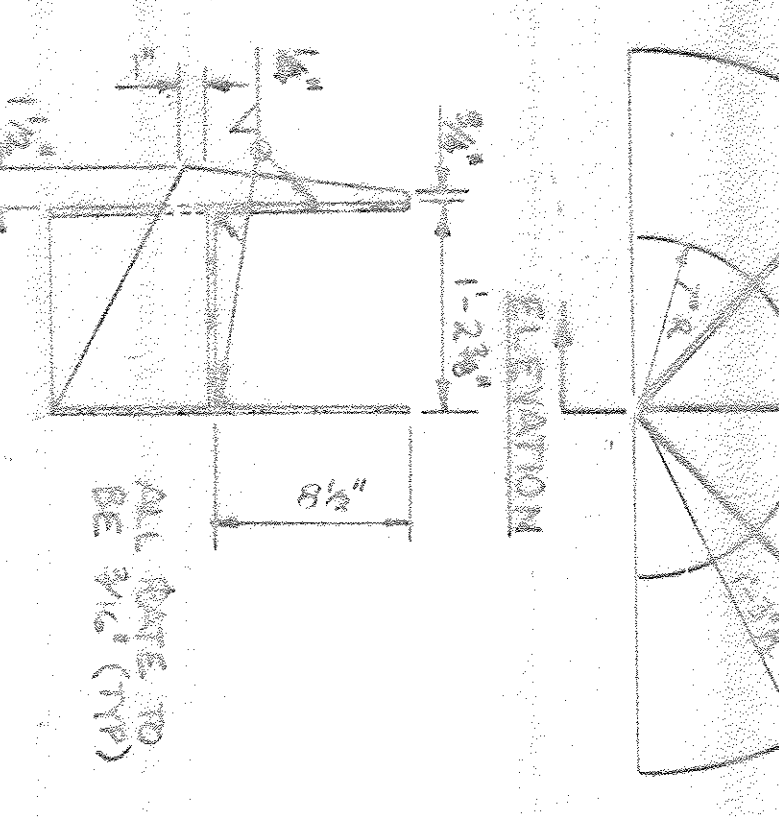
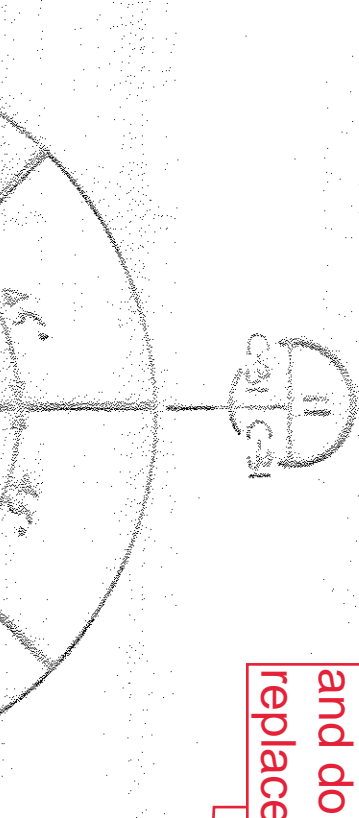


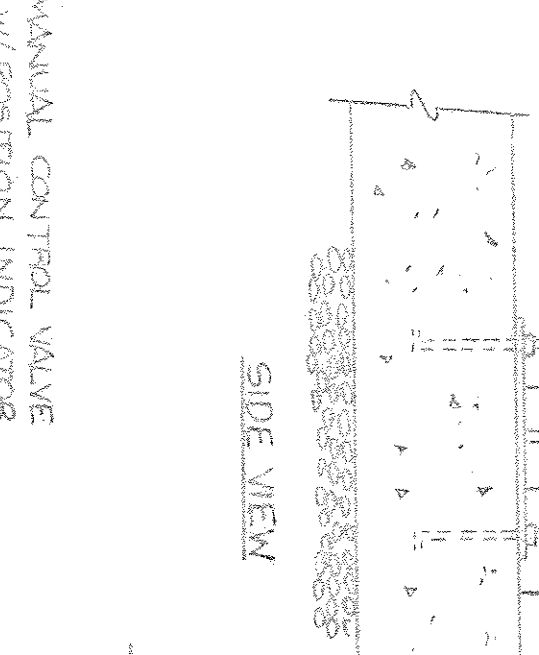
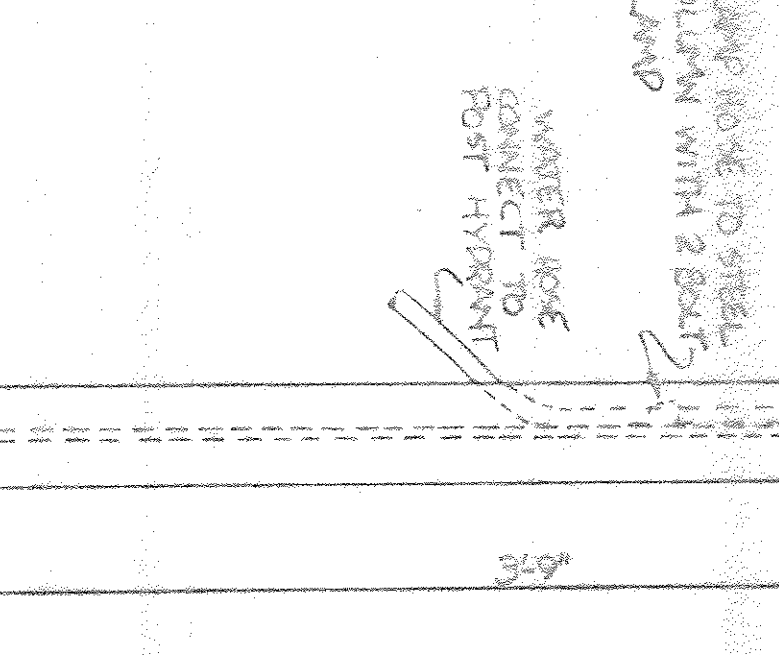
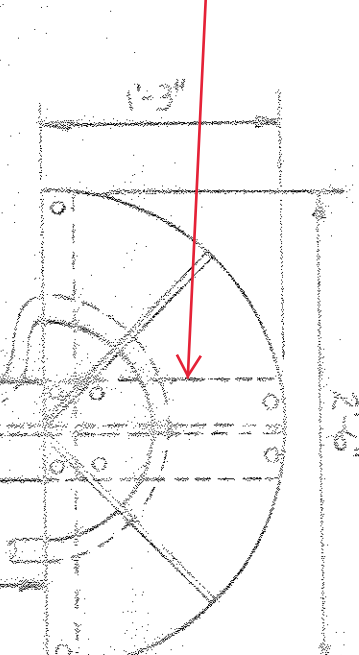
**POST WASH HOSE RACKS**  
NO SCALE

NOTES:  
FOUNDATION SHOWN IS TYPICAL FOR HOSE RACKS INSTALLED IN OPENED AREAS. FOUNDATION SHALL BE 5'0" X 5'0" SQUARE. USE 2'-0" X 2'-0" SQUARE AT WASH TOWERS ONLY.



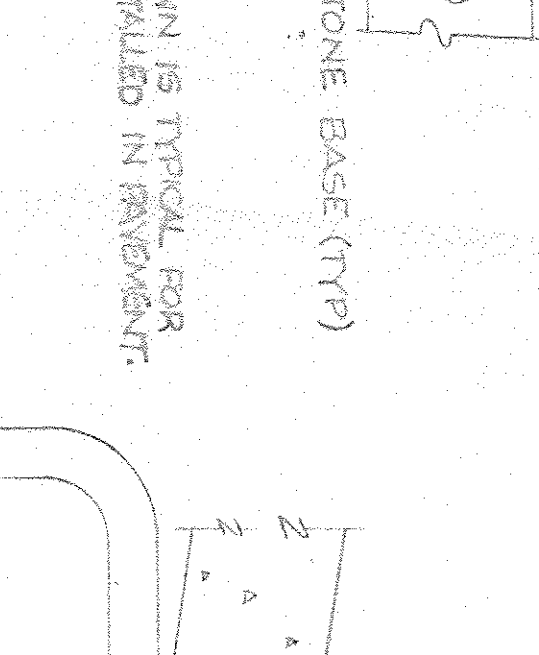
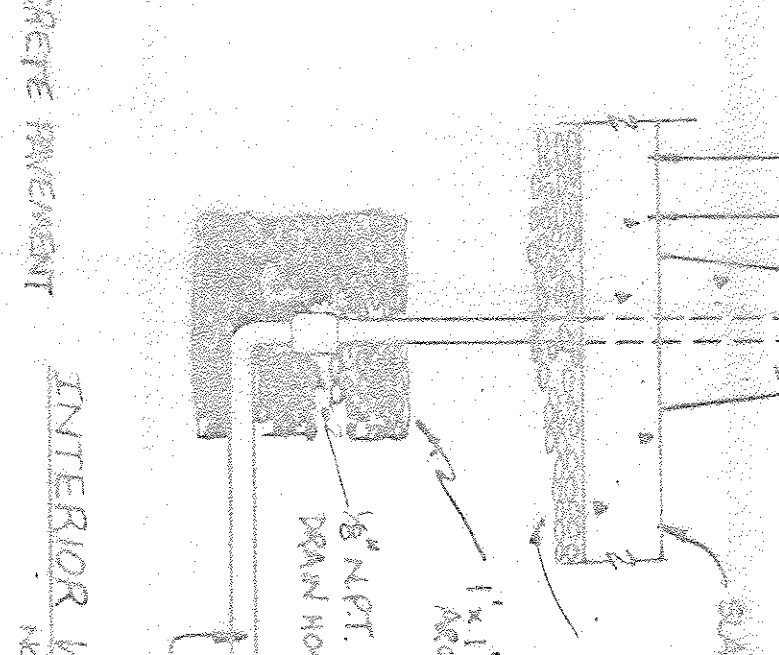
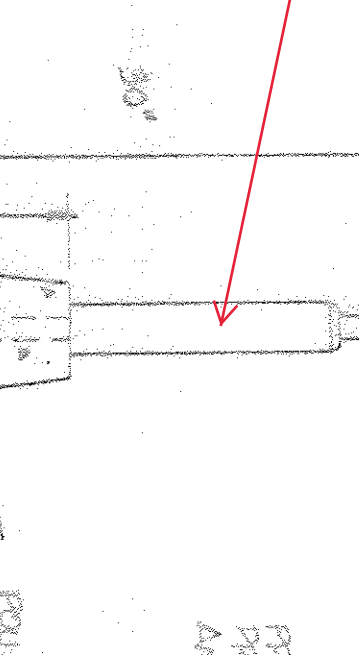
**DETAIL HOSE RACK**  
NO SCALE

REMOVE HOSE RACK AND DO NOT REPLACE



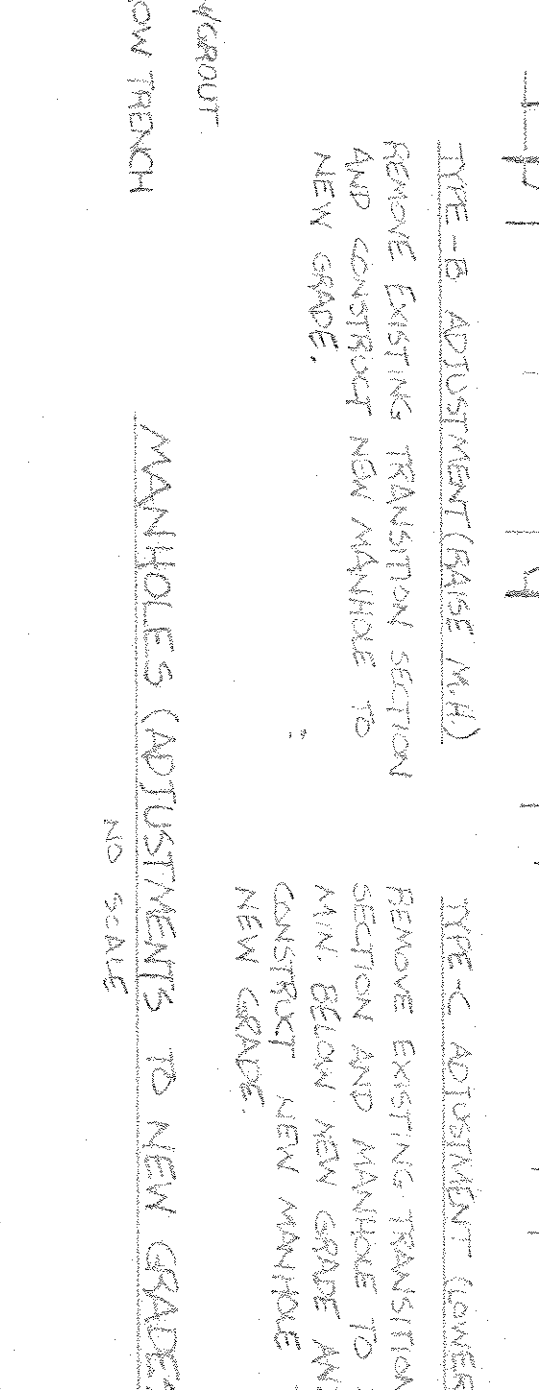
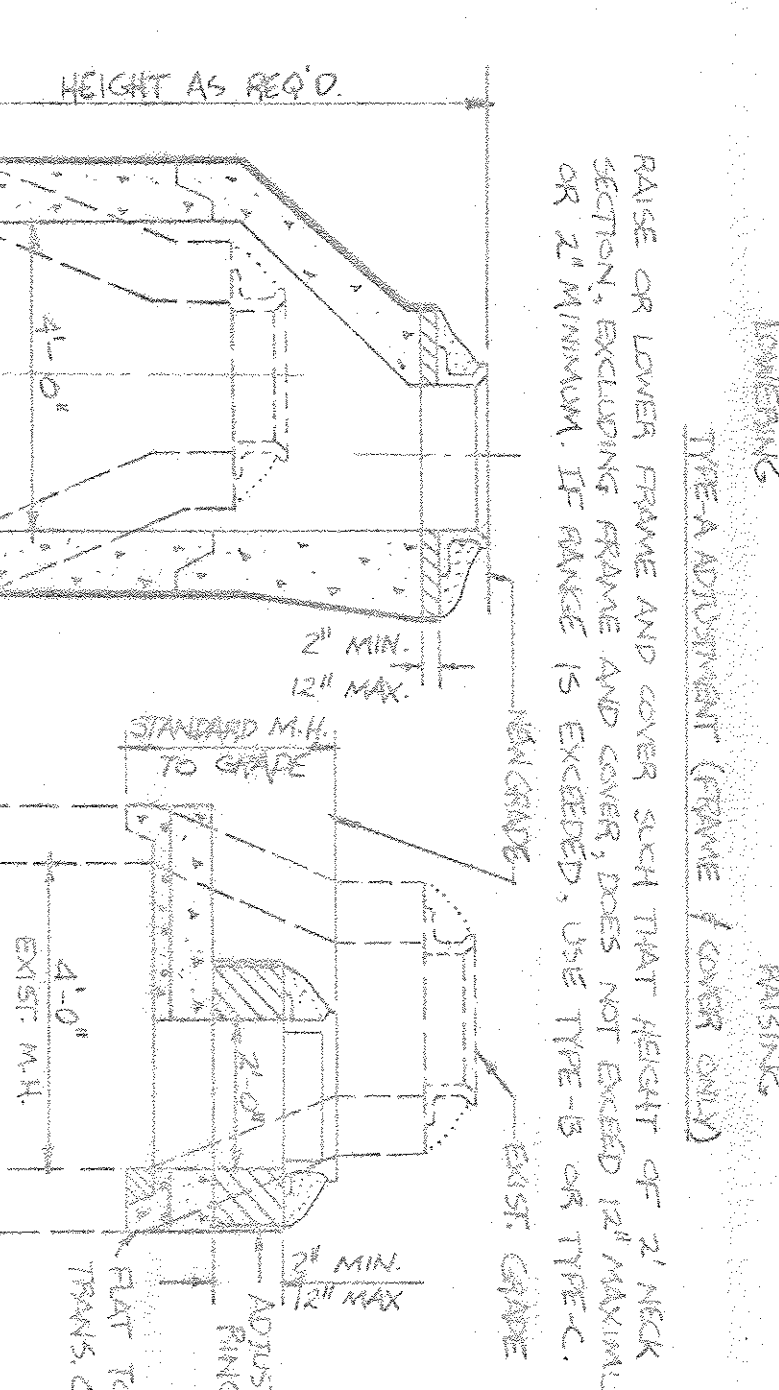
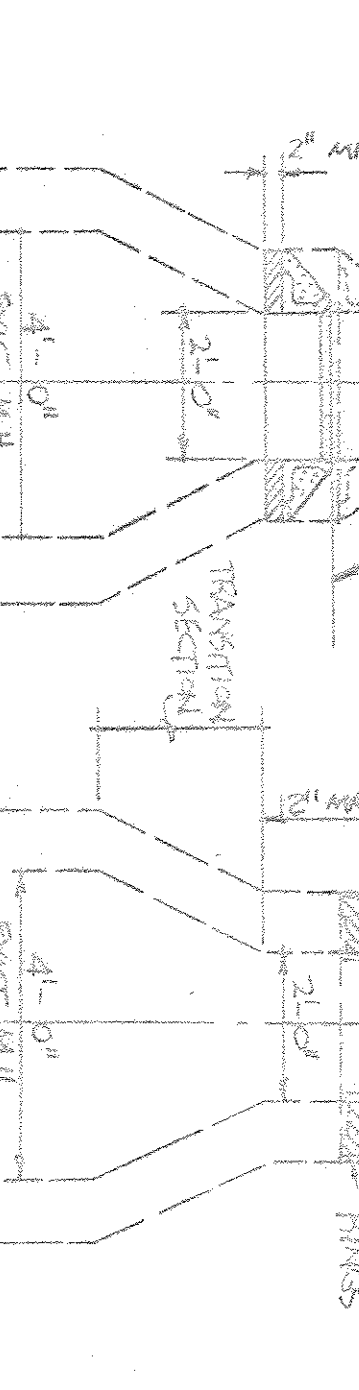
**SINGLE HOSE RACK**  
NO SCALE

REMOVE WASH HYDRANT AND DO NOT REPLACE



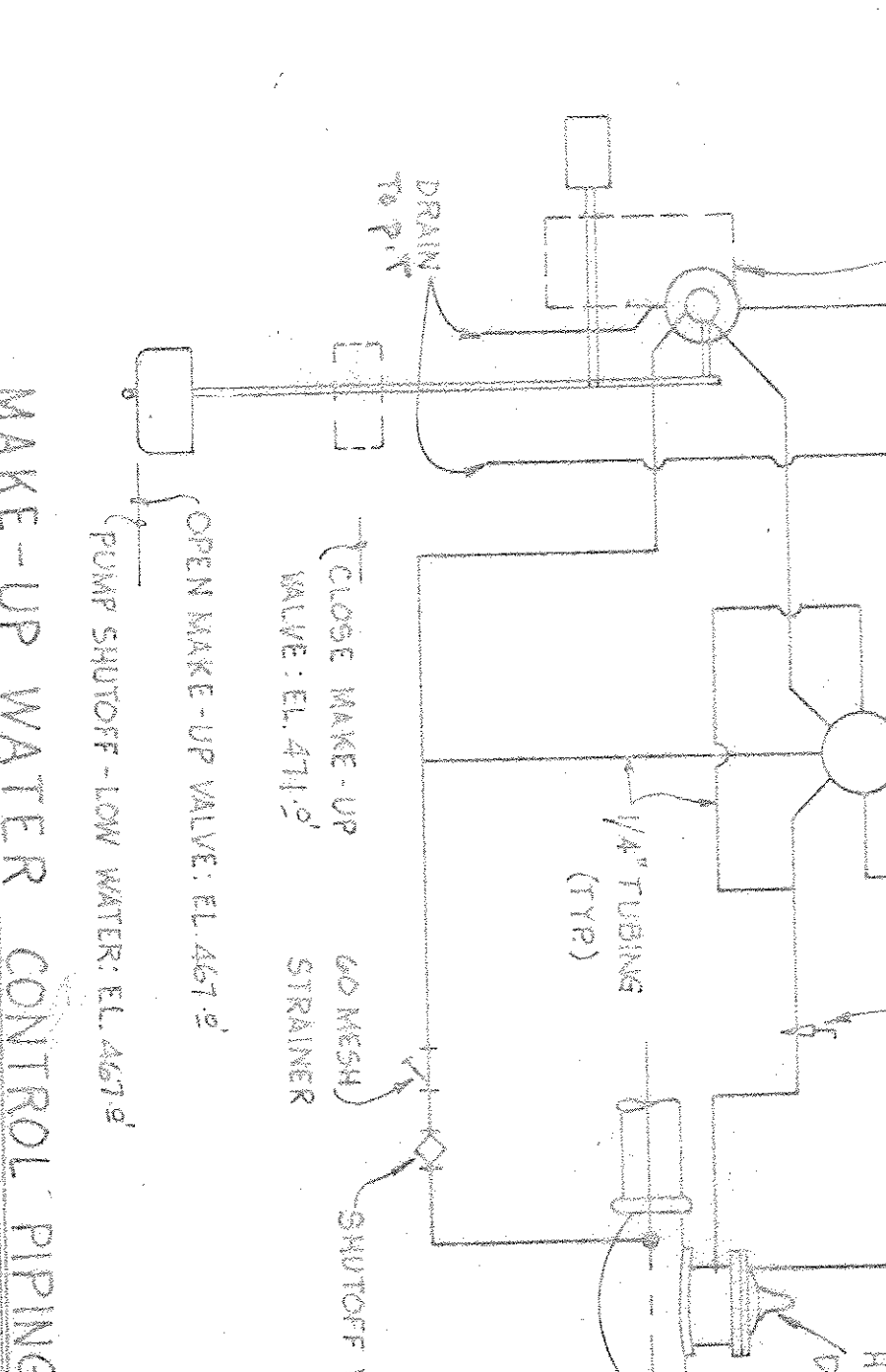
**INTERIOR WASH HYDRANT**  
NO SCALE

REMOVE EXISTING TRANSITION SECTION AND CONSTRUCT NEW MANHOLE TO 2' MIN. BELOW NEW GRADE AND CONSTRUCT NEW MANHOLE TO NEW GRADE.



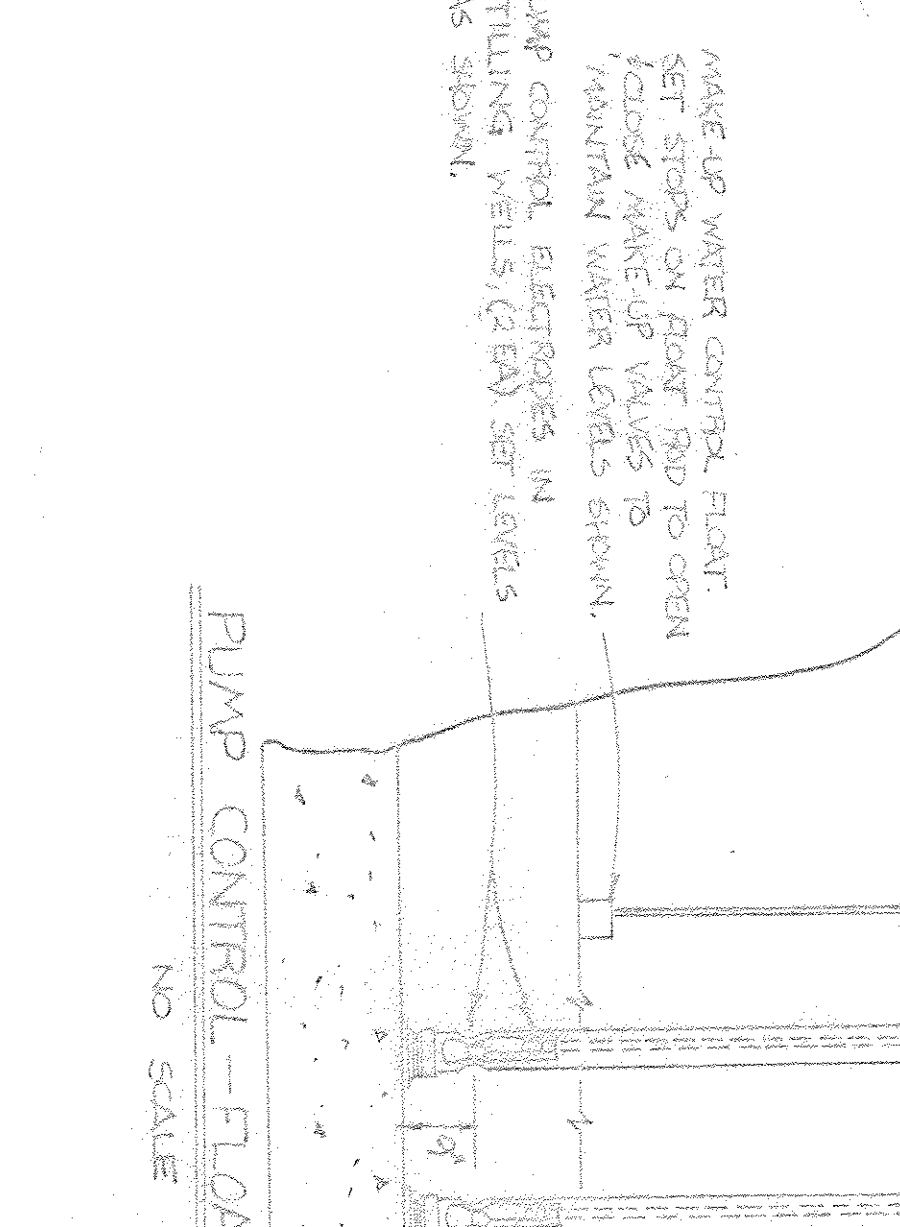
**MANHOLES (ADJUSTMENTS TO NEW GRADES)**  
NO SCALE

REMOVE EXISTING TRANSITION SECTION AND MANHOLE TO 2' MIN. BELOW NEW GRADE AND CONSTRUCT NEW MANHOLE TO NEW GRADE.



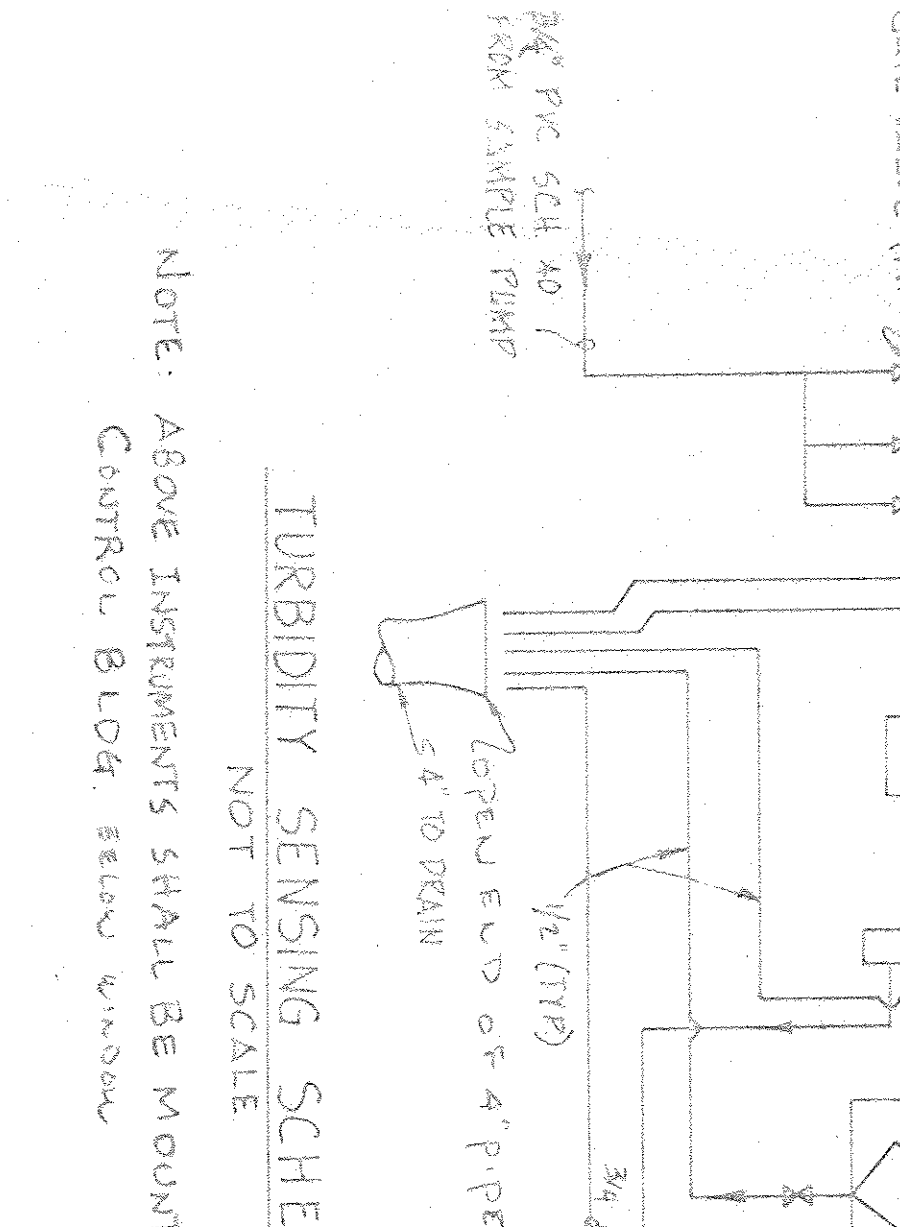
**MAKE-UP WATER CONTROL PIPING**  
NO SCALE

NEEDLE VALVES FOR OPENING/CLOSING SPEED CONTROLS.  
HYDRAULIC OPERATED DIAPHRAGM ACTUATED GLOBE VALVE.



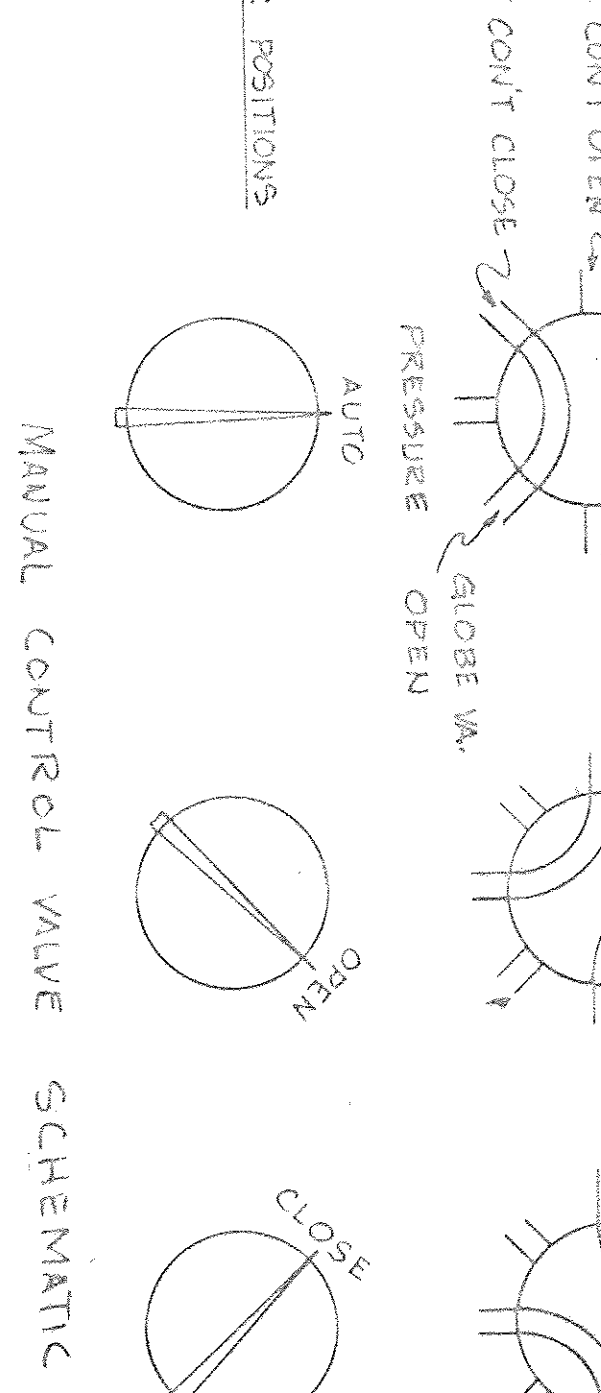
**PUMP CONTROL - FLOAT LEVELS**  
NO SCALE

PROVIDE GLOBE VALVES, MOUNT TO PIT WALL TO LIMIT UPWARD MOVEMENT OF FLOAT.  
PUMP CONTROL - SEE DET. PL.



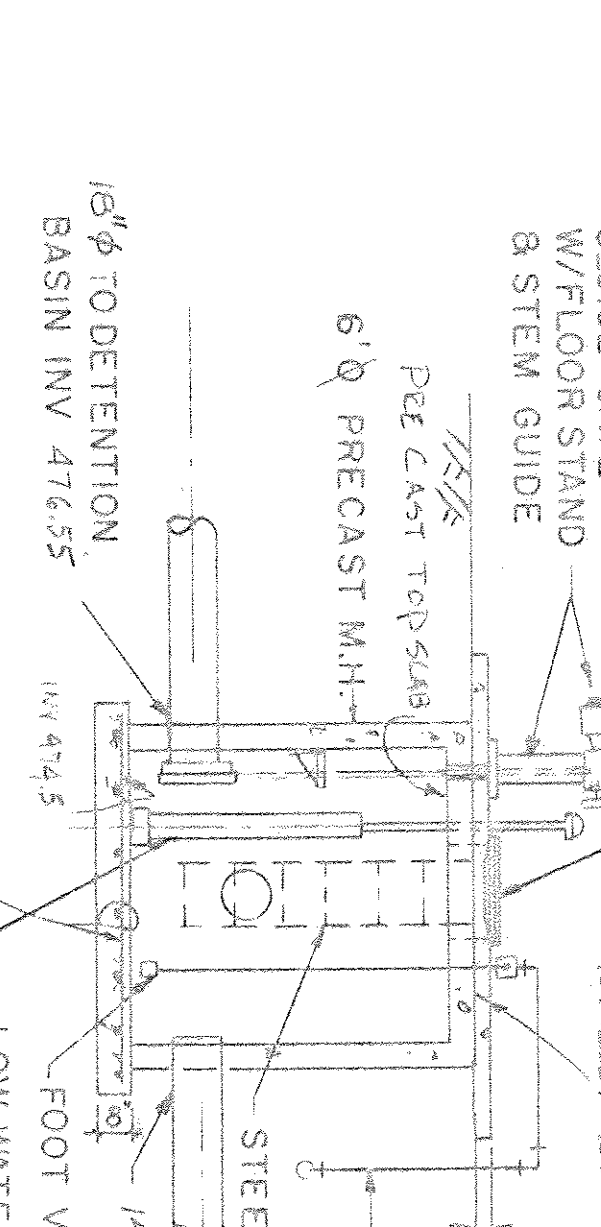
**TURBIDITY SENSING SCHEMATIC**  
NOT TO SCALE

NOTE: ABOVE INSTRUMENTS SHALL BE MOUNTED ON WALL OF CONTROL BLDG. SEVER WINDOW.



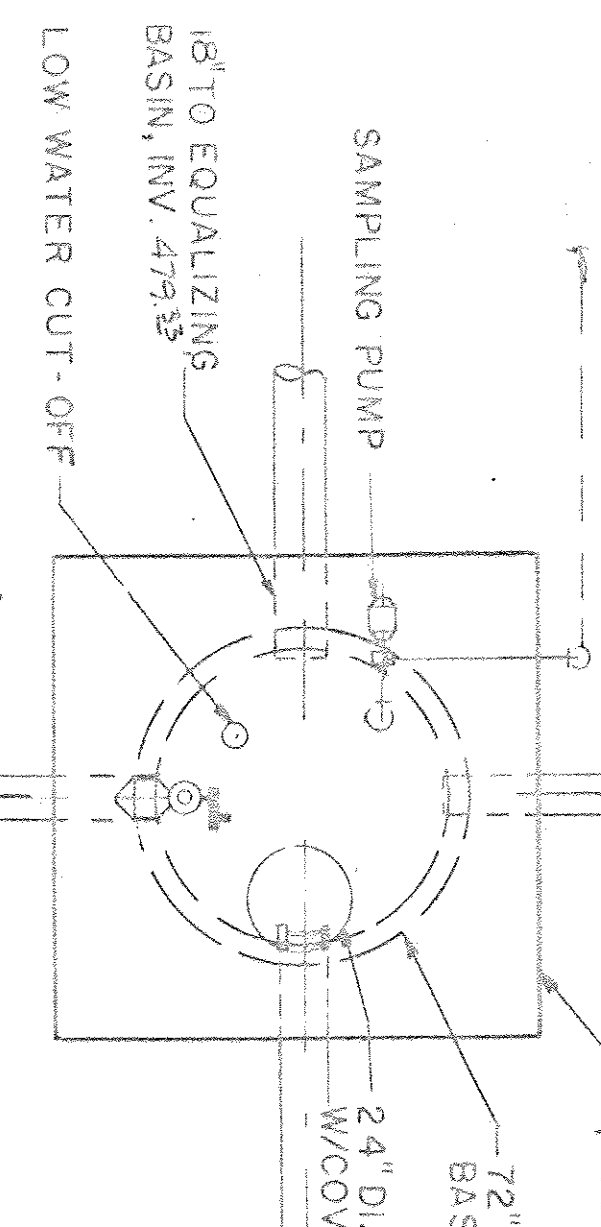
**VALVE PORT POSITIONS**  
NO SCALE

INDICATOR POSITIONS:  
MANUAL CONTROL VALVE SCHEMATIC



**SECTION A-A**  
NO SCALE

REMOVE EXISTING TRANSITION SECTION AND MANHOLE TO 2' MIN. BELOW NEW GRADE AND CONSTRUCT NEW MANHOLE TO NEW GRADE.



**SMH-9 PLAN**  
NO SCALE

REMOVE EXISTING TRANSITION SECTION AND MANHOLE TO 2' MIN. BELOW NEW GRADE AND CONSTRUCT NEW MANHOLE TO NEW GRADE.

REV	DATE	DESCRIPTION	BY
1			

RECORD DRAWING AS-BUILT  
THE QUANDEL GROUP, INC.

U.S. ARMY ENGINEER DISTRICT, BALTIMORE  
CORPS OF ENGINEERS  
BALTIMORE, MARYLAND

PENNSYLVANIA  
CENTRALIZED WASH FACILITY  
MISCELLANEOUS DETAILS

SCALE AS SHOWN DATE 21 APRIL 88 SHEET C-23A

DRAWING NUMBER  
F-214-13-04  
26